

- 4 X Thermistor
- 0 - Compressor
  - 1 - Evaporator
  - 2 - Ambient
  - 3 - Evaporator mid

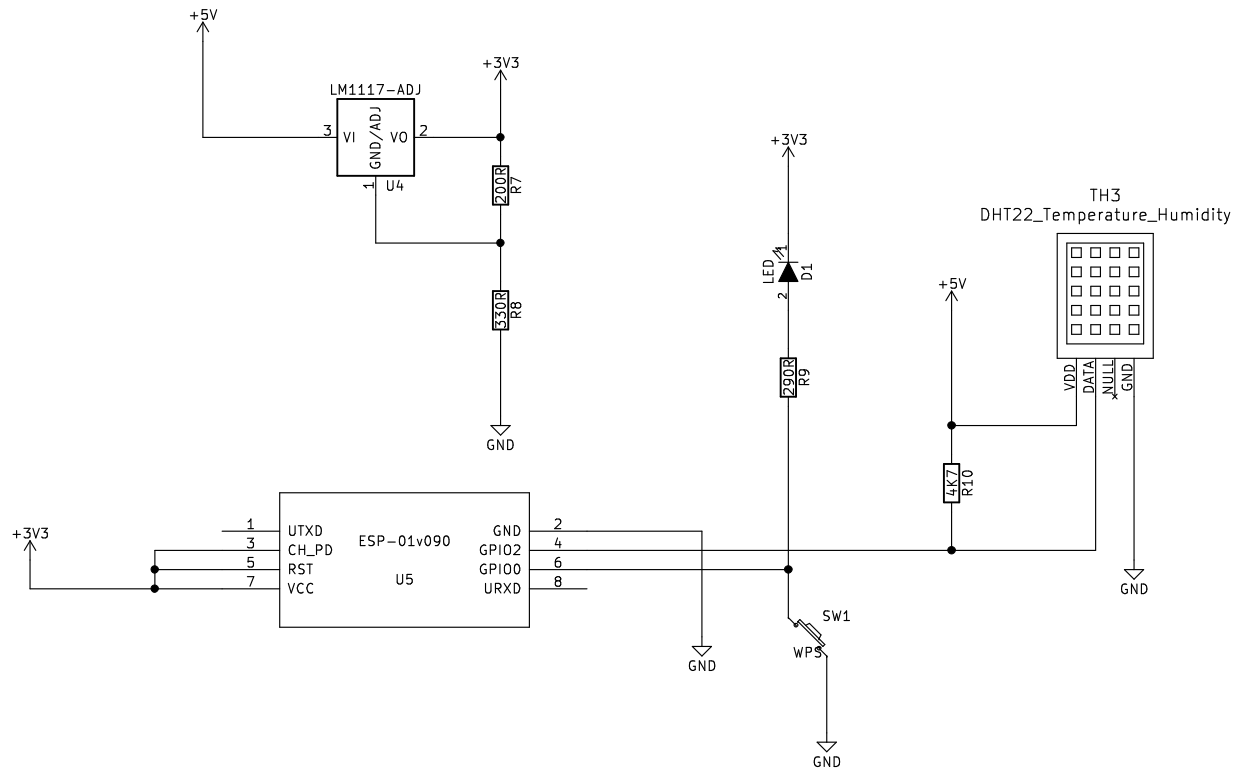
- 0 - Compressor
  - 1 - Valve
  - 2 - Fan
- Compressor -> 40A SSR  
Valve+fan -> Pre built twin relay module

Pre-built I2C modules connected to +5V, 0V, SDA, SCL

Sheet: Dewpoint

File: Dewpoint.sch

Sheet: /	
File: HPCcontrollerESP.sch	
<b>Title: Heatpump controller</b>	
Size: A4	Date:
KiCad E.D.A. kicad 4.0.3-stable	Rev: 1/2



Sheet: /Dewpoint/  
 File: Dewpoint.sch

**Title: Dewpoint humidity and temperature sensor**

Size: A4	Date:	Rev:
KiCad E.D.A. kicad 4.0.3-stable		Id: 2/2